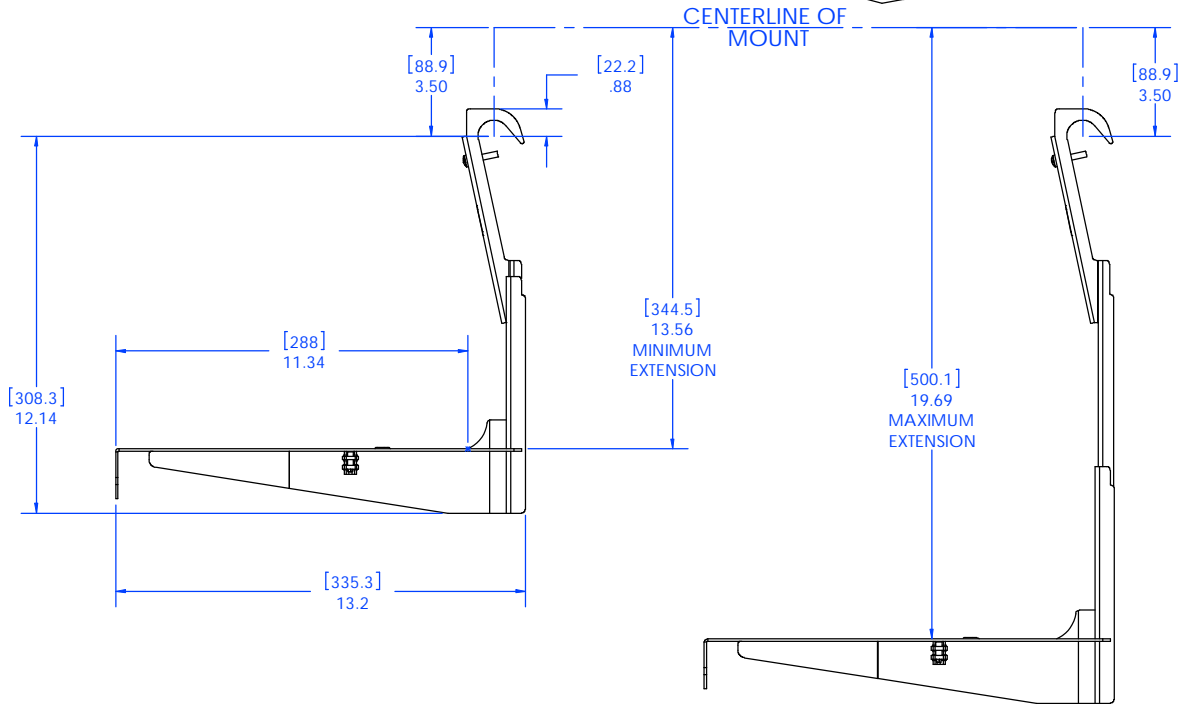
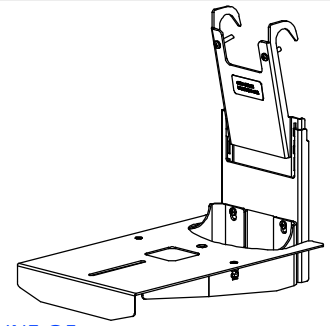
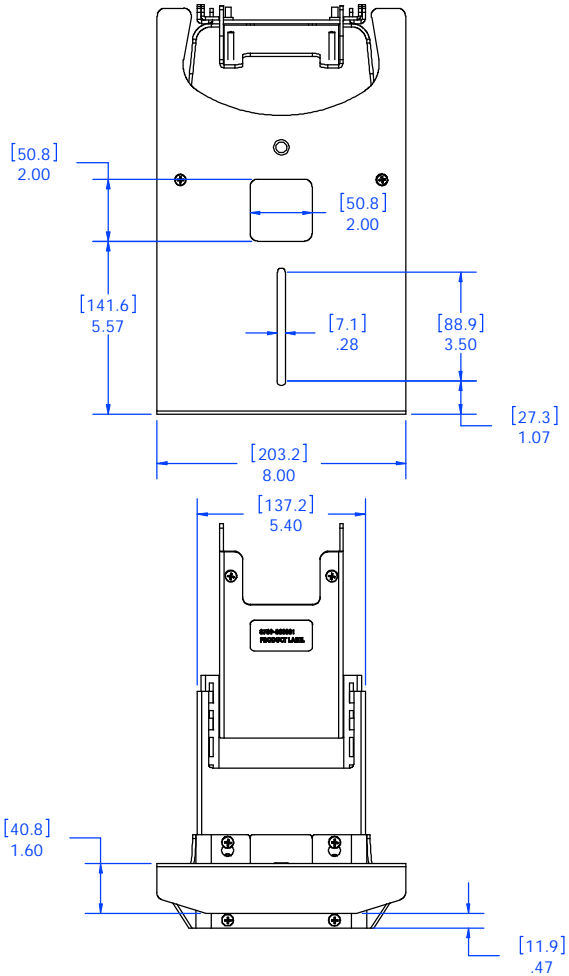


XXX-500000-0586

USABLE SHELF DEPTH
11.2" - SCREEN DEPTH
WEIGHT CAPACITY 10 LBS.



CHIEF MANUFACTURING INC.
 MOUNT ORDER NUMBER IS FVS100
 PHONE: 1-800-582-6480

THE INFORMATION AND DESIGNS CONTAINED
 IN THIS DRAWING ARE CONFIDENTIAL AND THE
 PROPRIETARY PROPERTY OF CHIEF MFG., INC.
 NEITHER THIS DESIGN NOR ANY INFORMATION
 CONTAINED IN THIS DRAWING MAY BE
 REPRODUCED OR DISCLOSED TO OTHERS
 WITHOUT THE EXPRESS WRITTEN CONSENT OF
 CHIEF MFG., INC.

CHIEF MANUFACTURING, INC.
 8401 EAGLE CREEK PKWY STE. 700, SAUSAGE, MN 55378
 1.800.582.6480 • FAX 1.877.894.6918

TITLE
FVS100